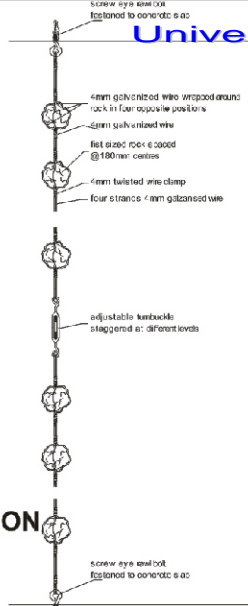


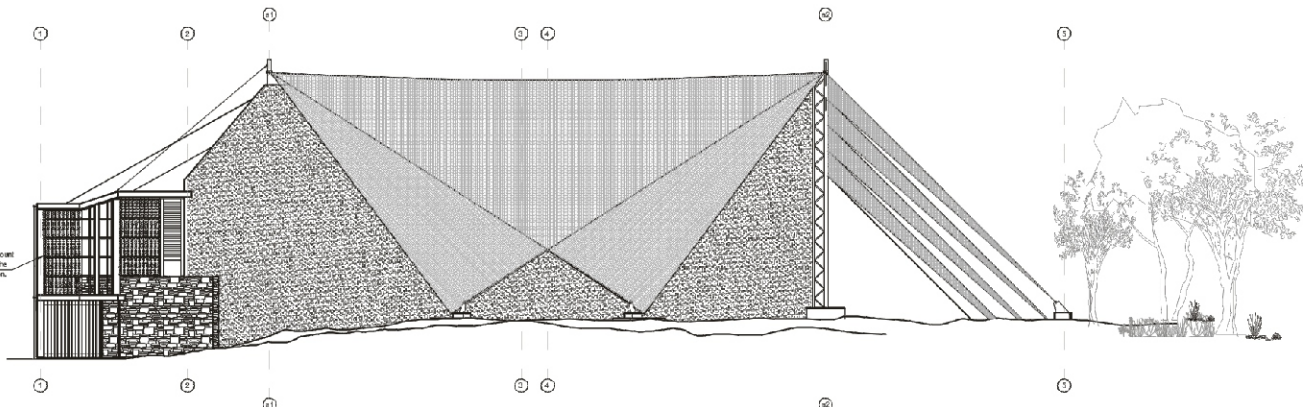
**ROCK CURTAIN - WESTERN ELEVATION**  
SCALE: 1:20

SCALE IN METERS



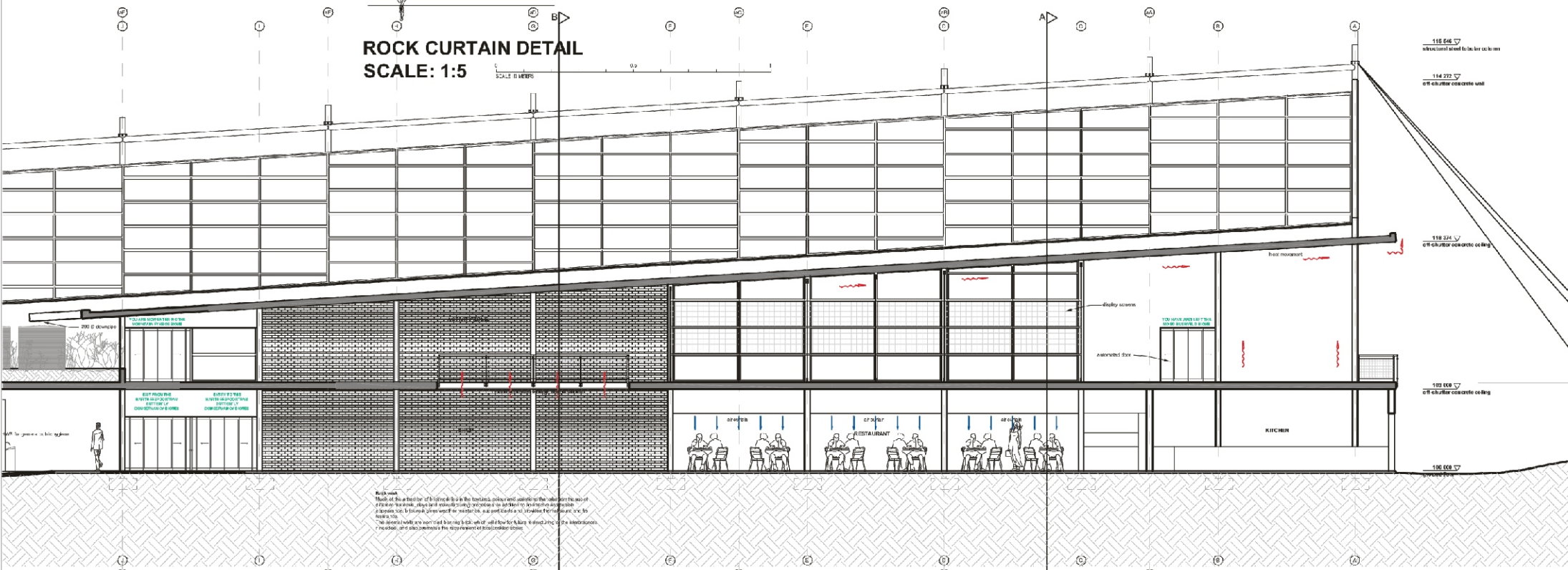
**ROCK CURTAIN DETAIL**  
SCALE: 1:5

SCALE IN METERS



**WESTERN ELEVATION** 1:100

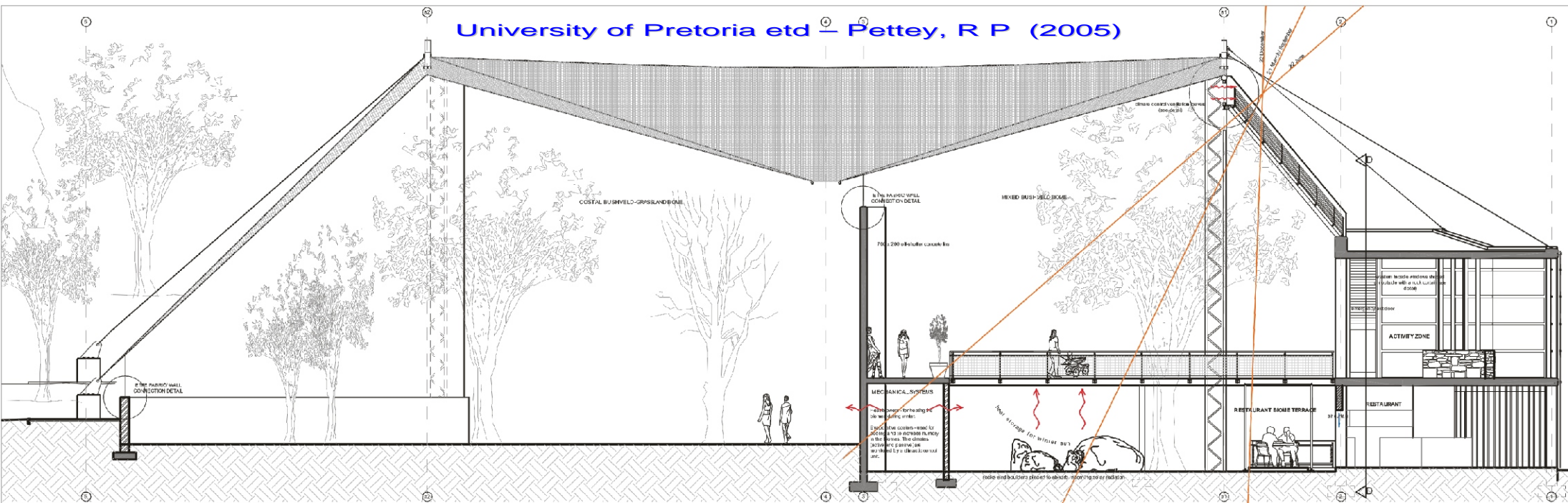
SCALE IN METERS



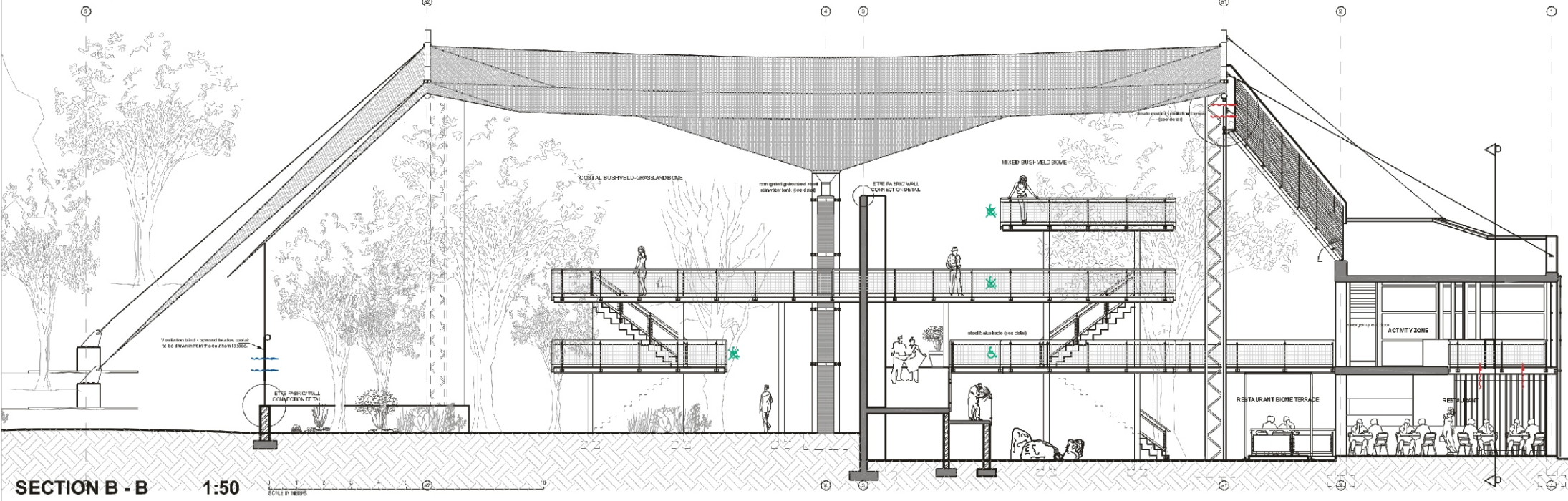
**SECTION D - D** 1:50

SCALE IN METERS

UNIVERSITY OF PRETORIA department of architecture and landscape architecture	20046848	Project <b>AN ECOLOGICAL SPLURGE</b> Hartbeespoort Butterfly Conservancy	Name <b>RYAN PETTEY</b>	Course <b>MArch (Prof)</b>	Date <b>2004-11-25</b>	Sheet <b>006</b>	No. of drawings <b>10</b>	Drawing <b>WESTERN ELEVATION</b> <b>WESTERN ROCK CURTAIN SUNSHADE</b> <b>SECTION D - D</b>
			Author <b>PROF ROGER FISHER</b>					



SECTION A - A 1:50

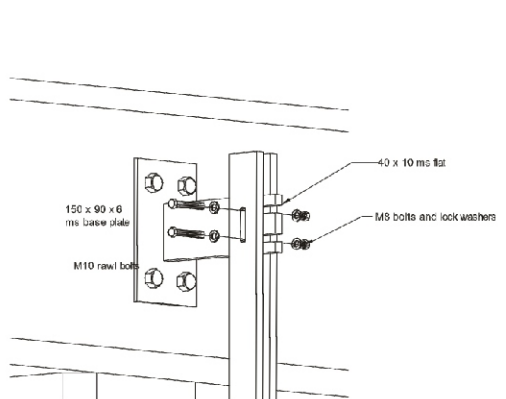
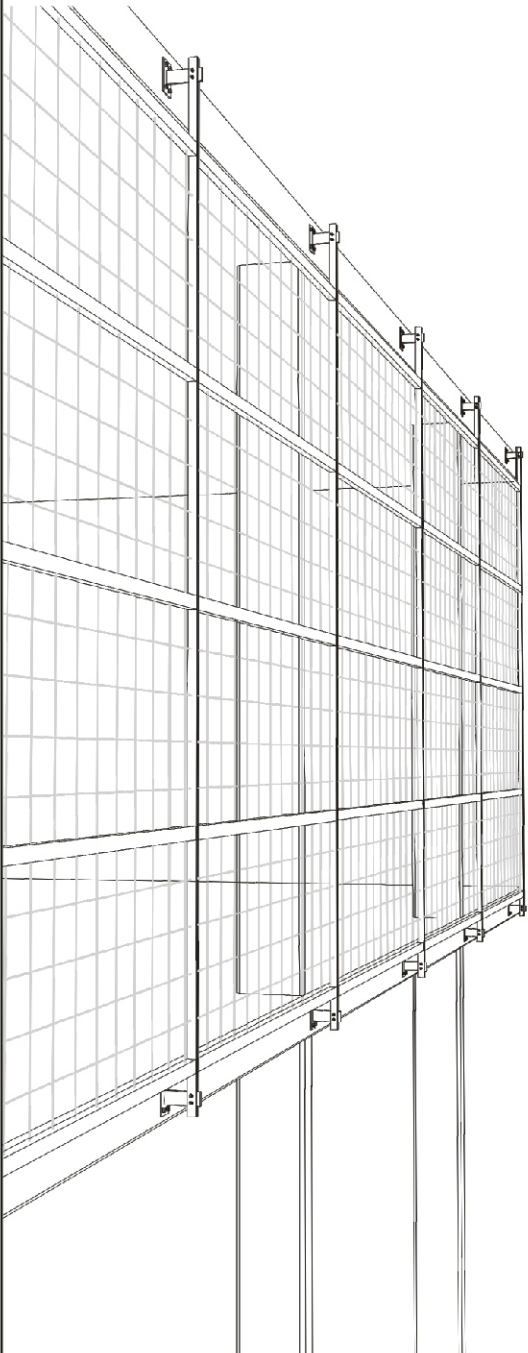


SECTION B - B 1:50

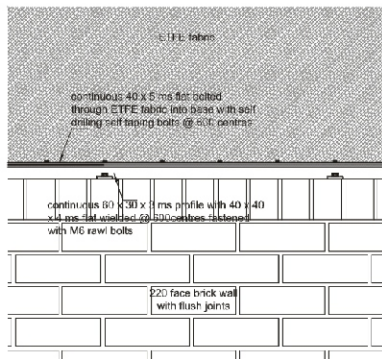
UNIVERSITY OF PRETORIA department of architecture and landscape architecture	20046848	Project <b>AN ECOLOGICAL SPLURGE</b> Hartbeespoort Butterfly Conservancy	Name <b>RYAN PETTEY</b> Supervisor <b>PROF ROGER FISHER</b>	Course MArch (Prof)	Date 2004-11-25	Sheet 007	No of drawings 10	Drawing SECTION A - A SECTION B - B
---	----------	--	--	------------------------	--------------------	--------------	----------------------	---

# GROWTH SCREEN

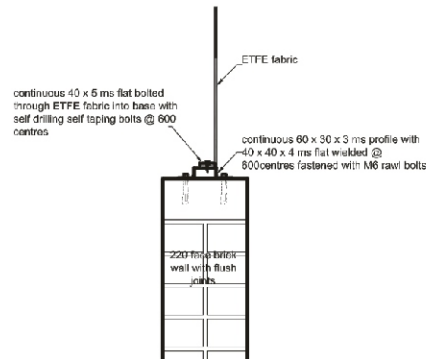
# University of Pretoria etd – Petter, R.P. (2005) ETFE FABRIC/WALL CONNECTION



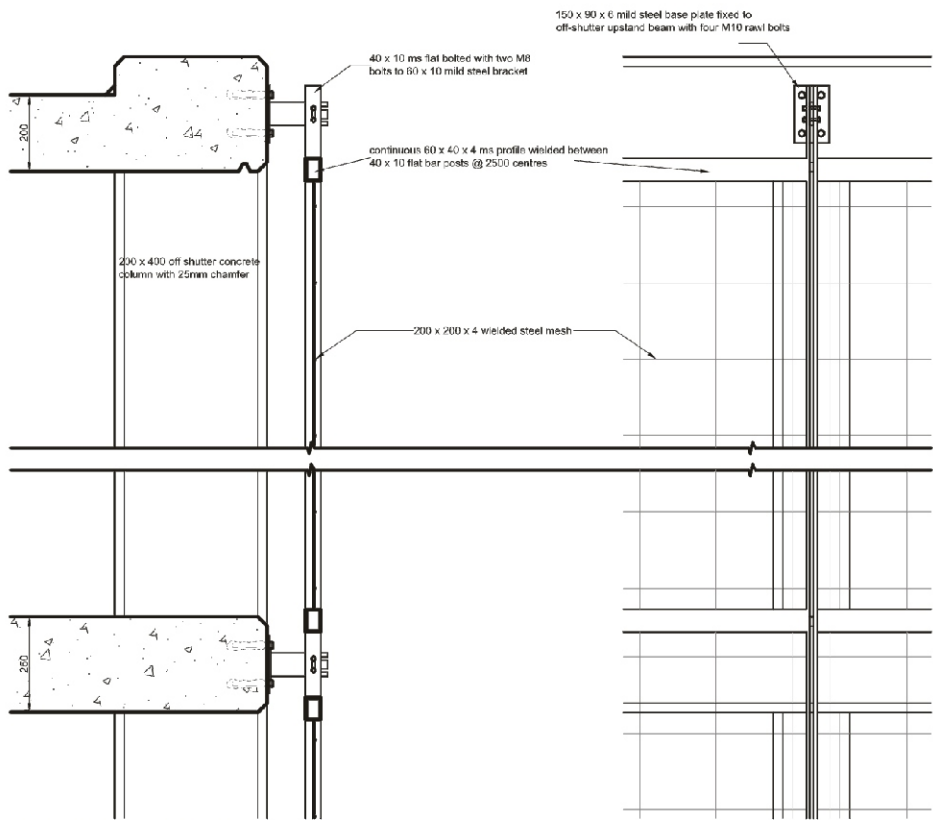
**GROWTH SCREEN FIXING DETAIL**  
SCALE: 1:2



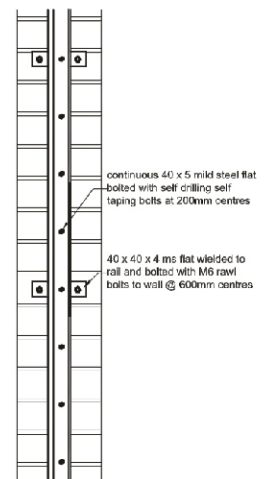
**ELEVATION ETFE FABRIC/WALL CONNECTION**  
SCALE: 1:5



**SECTION ETFE FABRIC/WALL CONNECTION**  
SCALE: 1:5



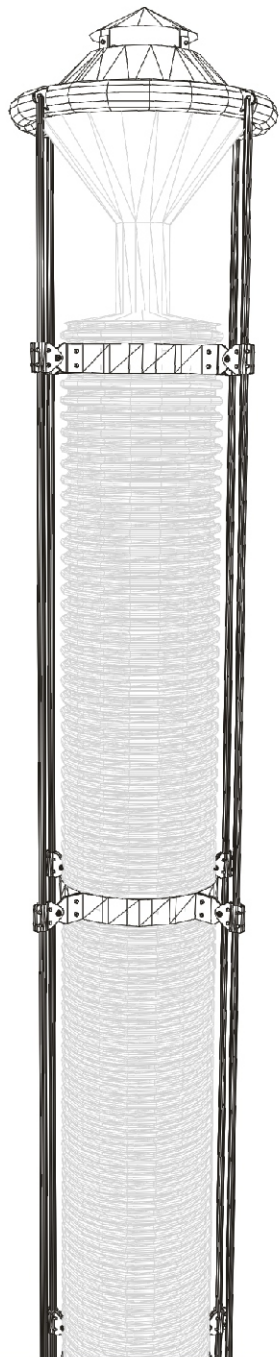
**GROWTH SCREEN TO SLAB DETAIL**  
SCALE: 1:5



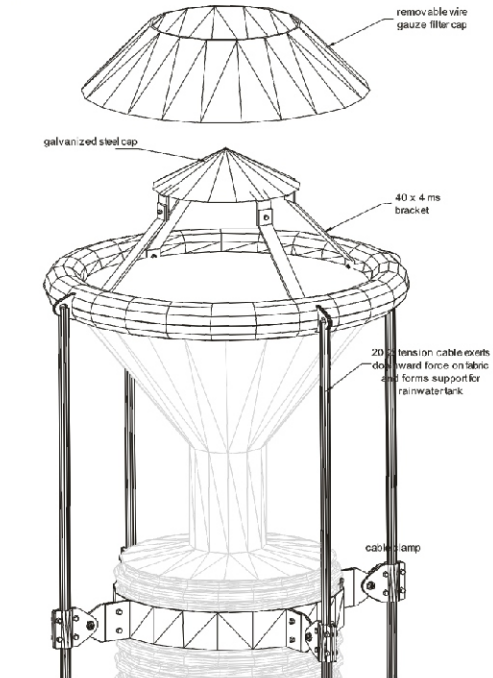
**PLAN ETFE FABRIC/WALL CONNECTION**  
SCALE: 1:5

**Steel**  
All the steel components are modular and can be prefabricated by local craftsmen. As a rule, wherever possible elements have been designed to the simplest specification possible. This will allow emerging contractors and local craftsmen to be involved in the manufacturing of components.

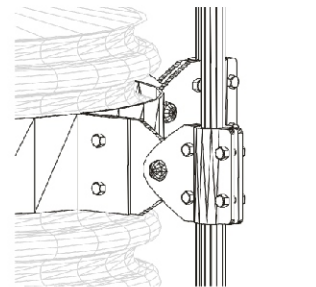
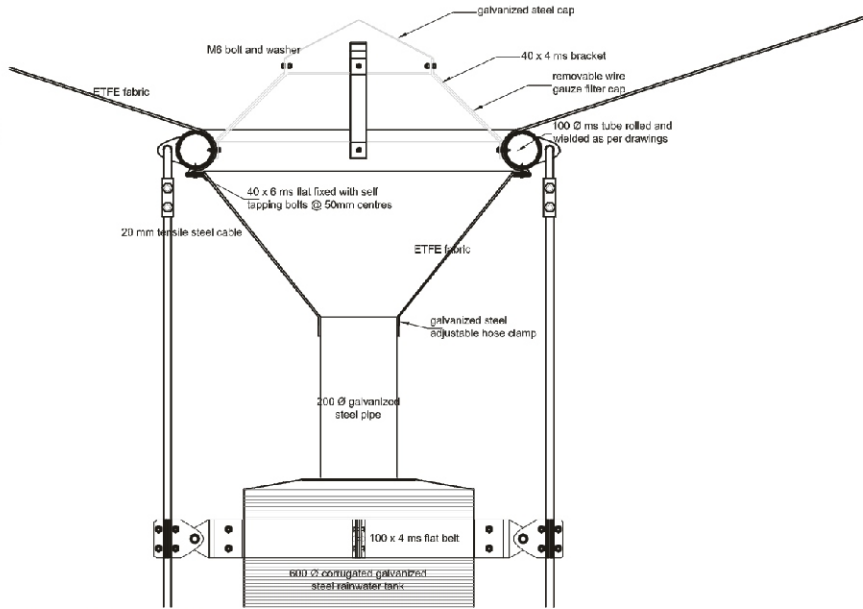
UNIVERSITY OF PRETORIA department of architecture and landscape architecture	20046848	Project: <b>AN ECOLOGICAL SPLURGE</b> Hartbeespoort Butterfly Conservancy	Name: <b>RYAN PETTEY</b>	Co-ord: MArch (Prof)	Date: 2004-11-25	Sheet: 008	View/Drawings: 10	Drawing: <b>GROWTH SCREEN</b> <b>ETFE FABRIC/WALL CONNECTION</b>
			Drawn: <b>PROF ROGER FISHER</b>					



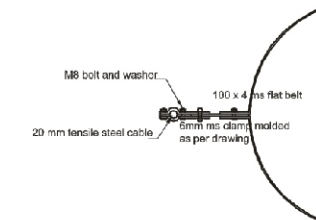
RAINWATER TANK AND FILTER  
SCALE: 1:5



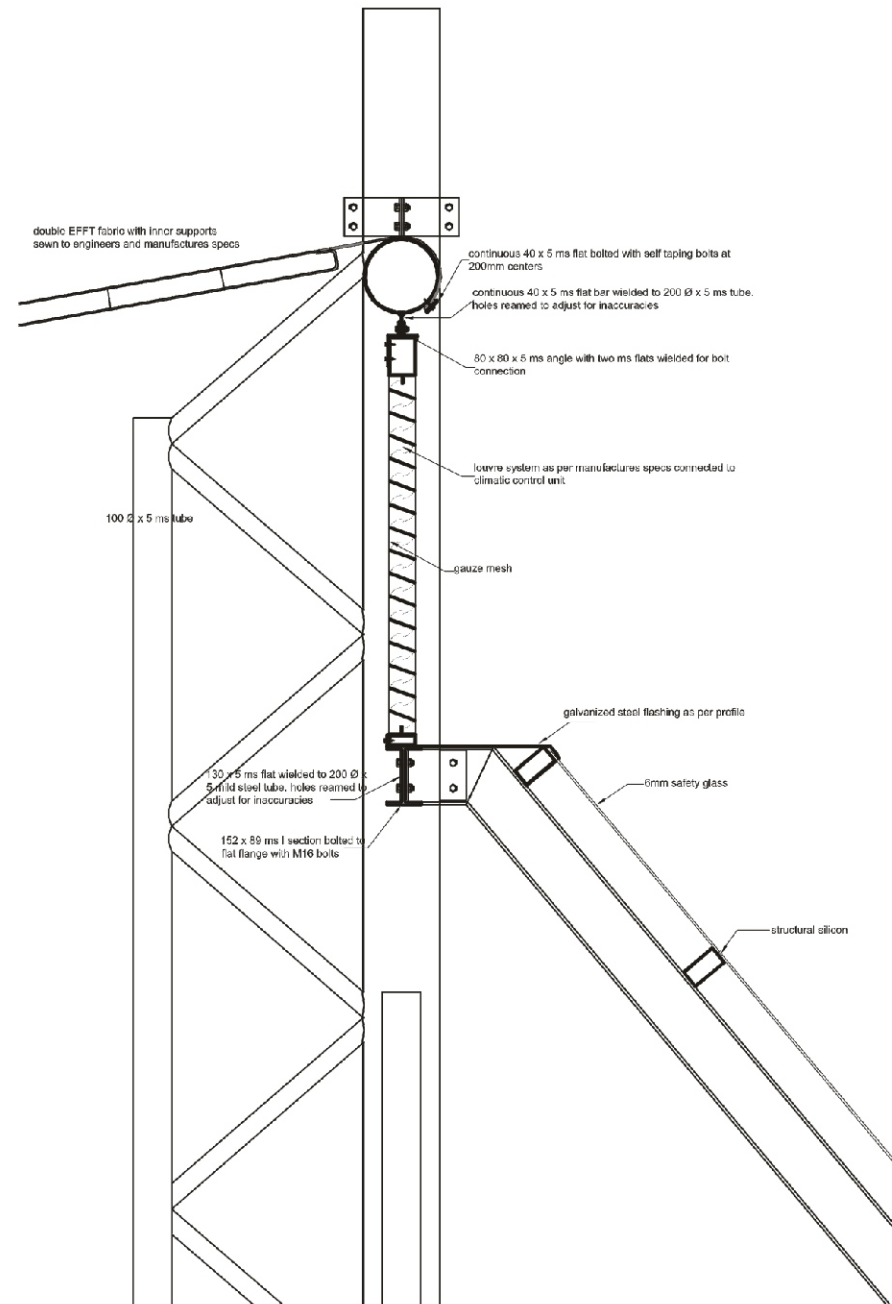
RAINWATER TANK AND FILTER  
SCALE: 1:2



CABLE CLAMP AND STEEL BELT CONNECTION  
SCALE: 1:2

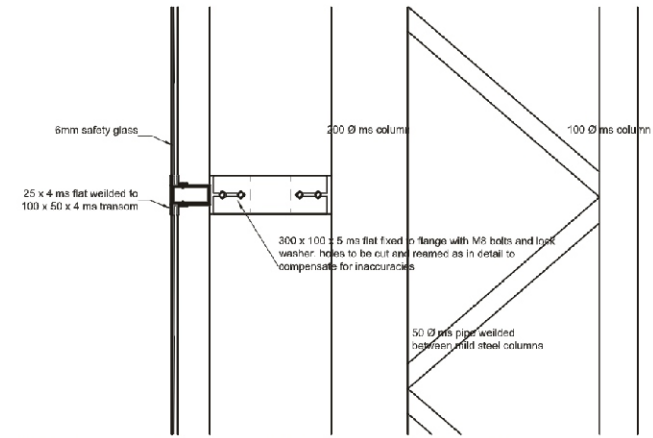
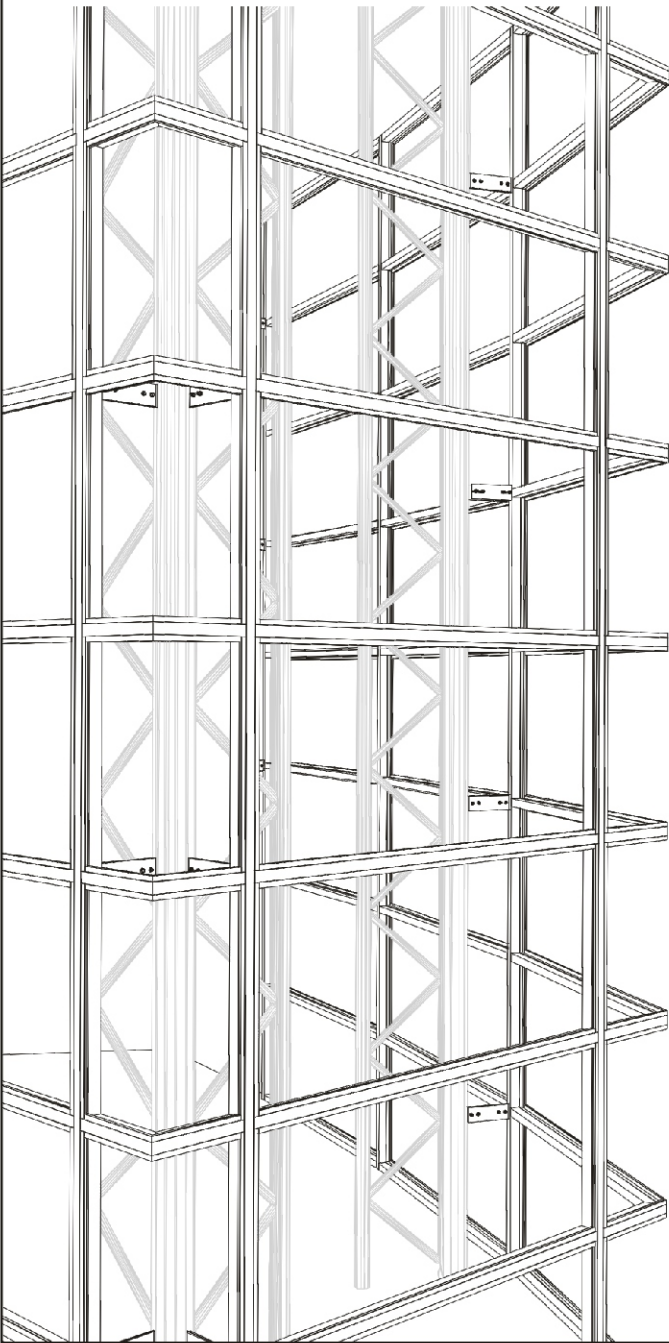


CABLE CLAMP AND STEEL BELT DETAIL  
SCALE: 1:5

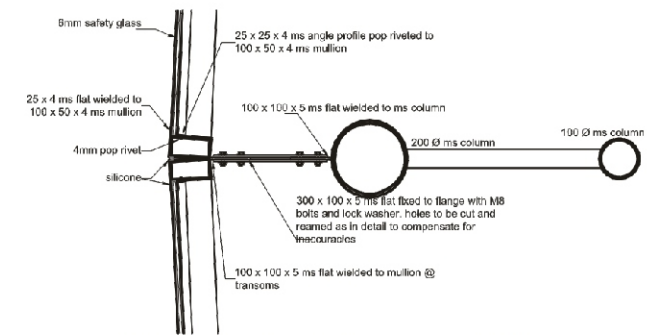


CLIMATE CONTROL AND VENTILATION DETAIL  
SCALE: 1:5

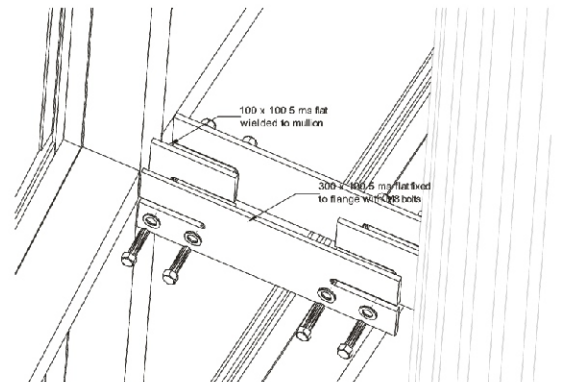
UNIVERSITY OF PRETORIA department of architecture and landscape architecture	200406848	Project: AN ECOLOGICAL SPLURGE Hartbeespoort Butterfly Conservancy	Name: RYAN PETTEY	Course: MArch (Prof)	Date: 2004-11-25	Sheet: 009	View/Drawings: 10	Drawing: CORRUGATED GALV STEEL RAINWATER TANK CLIMATE CONTROL VENTILATION LOUVRES
			Drawn: PROF ROGER FISHER					



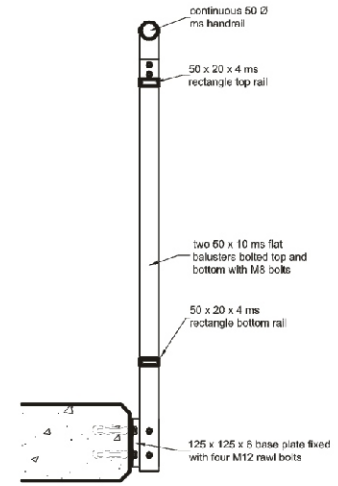
VERTICAL SECTION THROUGH WINDOW PROFILE AND SUPPORT STRUCTURE  
SCALE: 1:5



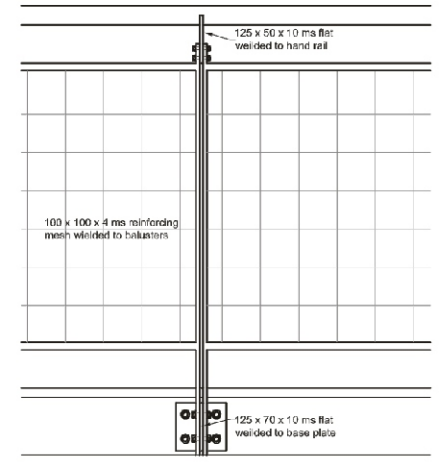
HORIZONTAL SECTION THROUGH WINDOW PROFILE AND SUPPORT STRUCTURE  
SCALE: 1:5



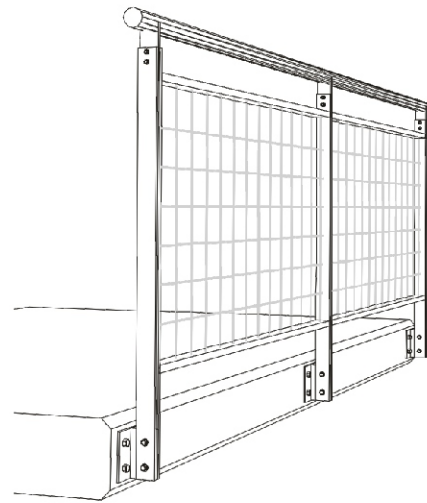
CONNECTION DETAIL  
SCALE: 1:2



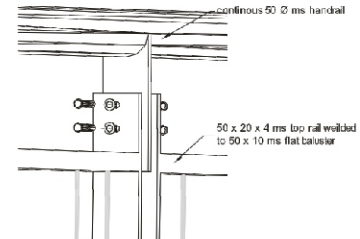
BALUSTRADE SLAB DETAIL  
SCALE: 1:5



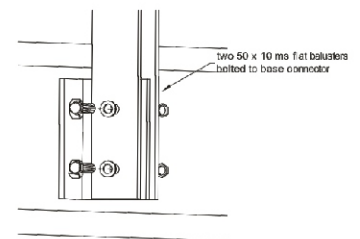
BALUSTRADE ELEVATION  
SCALE: 1:5



BALUSTRADE



BALUSTRADE HAND RAIL CONNECTION  
SCALE: 1:2



BALUSTRADE FIXING PLATE  
SCALE: 1:2

UNIVERSITY OF PRETORIA department of architecture and landscape architecture	20046848	Project: AN ECOLOGICAL SPLURGE Hartbeespoort Butterfly Conservancy	Name: RYAN PETTEY	Course: MArch (Prof)	Date: 2004-11-25	Sheet: 010	View/drawing: 10	Drawing: STEEL AND GLASS CURTAIN WALL BALUSTRADE
			Drawn: PROF ROGER FISHER					